

Top Ten Reasons Why Autodesk Inventor Users Select Autodesk Showcase

The Autodesk Solution for Digital Prototyping provides manufacturers with scalable, attainable, and cost effective desktop technology that enables global design and engineering teams to develop a complete digital prototype from conceptual design, to engineering and manufacturing.

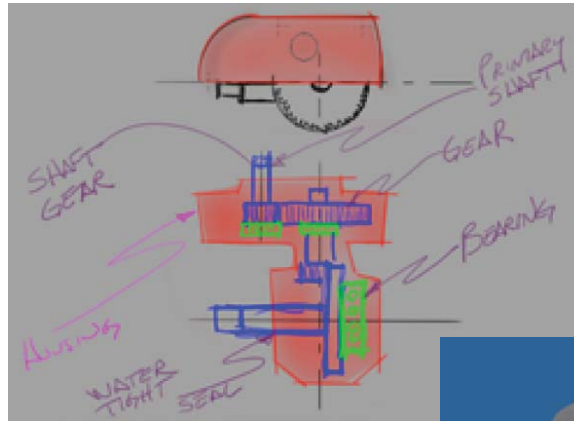
Autodesk® Showcase® software, part of the Autodesk solution for Digital Prototyping, enables the creation of accurate, realistic imagery from 3D CAD data to not only convey form and function, but also create environmental context to communicate brand character.

Make creating accurate, realistic imagery from 3D CAD data an integral part of your design routine with Autodesk Showcase visualization software.

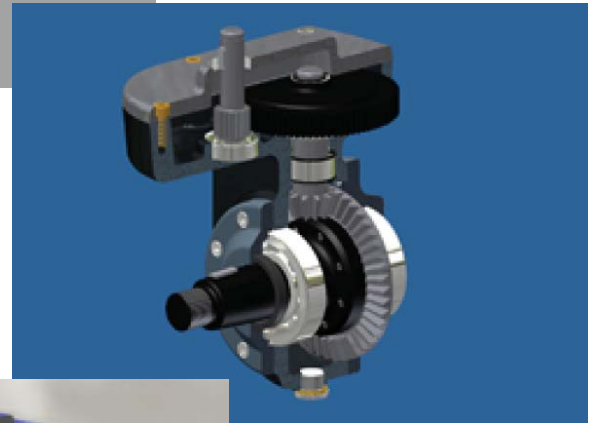
Real Problems—Real Solutions—Real Time

Creating compelling realistic experiences for reviewers, customers, and other audiences is easy with Autodesk® Showcase® software. An integral component of the digital prototyping workflow, Showcase facilitates quick, comprehensive reviews that save time and prevent misunderstandings.

Together, Autodesk® Inventor® software and Autodesk Showcase make it possible to see and experience design ideas by transforming detailed and accurate CAD drawings into highly accurate visualizations, making the virtual world feel real.



Concept Sketches



Production Models/Drawings



Marketing Presentations

Top Ten Reasons Why Autodesk Inventor Users Select Autodesk Showcase

1. Accelerate the Product Design Approval Process

Autodesk® Showcase® software helps Autodesk® Inventor® software users get their ideas across by facilitating the design approval process, helping to bypass client or management reluctance to approve designs based on low-quality imagery. With Showcase, you can create high-quality imagery and movies for distribution to other departments or for incorporation into presentations. With integrated raytracing plus dedicated workflows, Autodesk Showcase offers the functionality needed to create compelling imagery from a 3D CAD model within a single application.

2. Easily Create and Evaluate Multiple Design Variations

Physical prototypes are expensive, time-consuming to build, and represent only one variation of the design. Autodesk Showcase can present a range of design variations that allow users to change the appearance of the product (materials), geometry (wheels, body panels, mirrors, etc) and positioning during presentations. And, with a single mouse click, users can easily switch between design variations.

3. Make Better Decisions, Faster

Facilitate informed and streamlined decision-making with realistic representations of the product created from 3D CAD data with Autodesk® Showcase™ software. You can easily present a range of design options to help reduce the time, cost, and the need for building physical prototypes. Present and review models in an environment in which team members can make timely, reliable decisions both locally and via remote sessions, helping to save travel time and costs with staff in different locations.

4. Make Every Team Member part of the Process

Autodesk Showcase makes interactive real time visualization accessible to different levels of users in an organization, from engineering to marketing, regardless of 3D CAD experience. The easy to use interface allows for quick and easy creation of high quality imagery and movies in a short period of time.

5. Interoperability Between all of your Design Data

The import process in Autodesk Showcase software combines data translation and tessellation into one action. This means that Showcase reads in data from Autodesk Inventor software and translates it into a high-quality, real-time model. Showcase also reads project data as well as individual models.



Evaluate multiple design variations



Quick and easy creation of high quality imagery and movies



Top Ten Reasons Why Autodesk Inventor Users Select Autodesk Showcase

6. Data Translation and Processing

Engineering data is different from visualization data. Not everything created in the engineering environment is needed to make design decisions. By using Autodesk® Showcase® with Inventor software, you can reduce the complexity of processing data, using only the data needed to create compelling imagery in a simple but flexible workflow.

7. Facilitate Collaboration

With Autodesk Showcase software, users can pass digital data seamlessly between designers and engineers, a process that in the past would have been very difficult due to incompatible digital formats or the lack of any digital data. The integration between Autodesk Inventor and Showcase allows users to import in 3D CAD data so that the extended design team has a clear picture of what the design will look like once it's manufactured. With the free Showcase Viewer functionality, anyone in the organization to open and view a design at any time, whether they have Showcase or not.

8. Generate Interactive Presentations and Proposals

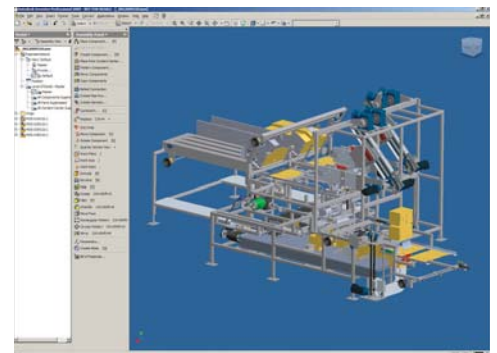
Autodesk Showcase allows you to leverage your Autodesk Inventor model or assembly to create an interactive experience to help your audience visualize your designs. A one-click presentation mode hides all interface items unrelated to your presentation, protecting visualizations from missteps by presenters. You control what file data is accessible, and what isn't. Set up multiple design variations using different parts or assemblies, materials or positions. During presentations you can easily switch between different views to compare designs, making it easier for decision makers to weigh multiple options.

9. Design and Visualization Work can be Done in Parallel

Autodesk Showcase retains information about which parts were removed, where they were positioned and which materials were applied. Because Showcase allows design model changes while preparing imagery for design reviews, it significantly reduces preparation time so design and visualization work can be done in parallel.

10. Visualize your Design Before you Build

Autodesk Showcase software allows you to see your engineering part or assembly even before it's manufactured. You can visualize and communicate with realistic materials and environments that give your engineering parts or assemblies a lifelike representation of how the product will appear.



Learn more About Autodesk Showcase

Autodesk Showcase software facilitates informed decision making on digital prototypes. Create accurate, realistic imagery from 3D CAD data to convey form and create environmental context to communicate brand character. Present and review designs in an environment in which team members can make reliable decisions, efficiently and economically, locally and via remote sessions. Find out more about Autodesk Showcase software today at www.autodesk.com/showcase

Learn more or purchase. Locate a reseller near you at www.autodesk.com/reseller